



# LD-LRS3611

LD-LRS

2D LASER SCANNERS

**SICK**  
Sensor Intelligence.



### Ordering information

Type	Part no.
LD-LRS3611	1067186

Other models and accessories → [www.sick.com/LD-LRS](http://www.sick.com/LD-LRS)



### Detailed technical data

#### Features

<b>Version</b>	Extended Range
<b>Field of application</b>	Outdoor
<b>Light source</b>	Infrared (905 nm)
<b>Laser class</b>	1, eye-safe (EN/IEC 60825-1)
<b>Aperture angle</b>	360°
<b>Scanning frequency</b>	5 Hz ... 15 Hz
<b>Angular resolution</b>	0.125°, 0.1875°, 0.25°, 0.375°, 0.5°, 0.75°, 1°, interlaced: 0.0625°
<b>Heating</b>	Yes
<b>Operating range</b>	5 m ... 250 m
<b>Max. range with 10 % reflectivity</b>	120 m

#### Performance

<b>Detectable object shape</b>	Almost any
<b>Systematic error</b>	± 38 mm <sup>1)</sup>
<b>Statistical error</b>	30 mm <sup>1)</sup>

<sup>1)</sup> Actual value depends on environmental conditions.

#### Interfaces

<b>Serial (RS-422)</b>	✓
Data transmission rate	19,200 Baud ... 115,200 Baud
<b>Ethernet</b>	✓
Data transmission rate	≤ 100 Mbit/s
Protocol	TCP/IP
<b>Switching outputs</b>	4 (digital)
<b>Optical indicators</b>	0

#### Mechanics/electronics

<b>Electrical connection</b>	1 x 20-pin Harting plug
------------------------------	-------------------------

<b>Operating voltage</b>	24 V DC, ± 15 %
<b>Power consumption</b>	36 W, + 140 W heating
<b>Housing</b>	PU (polyurethane rigid integral foam)
<b>Housing color</b>	Gray (RAL 7032)
<b>Enclosure rating</b>	IP 67
<b>Protection class</b>	III
<b>Weight</b>	9.1 kg
<b>Dimensions (L x W x H)</b>	250 mm x 350 mm x 391.1 mm

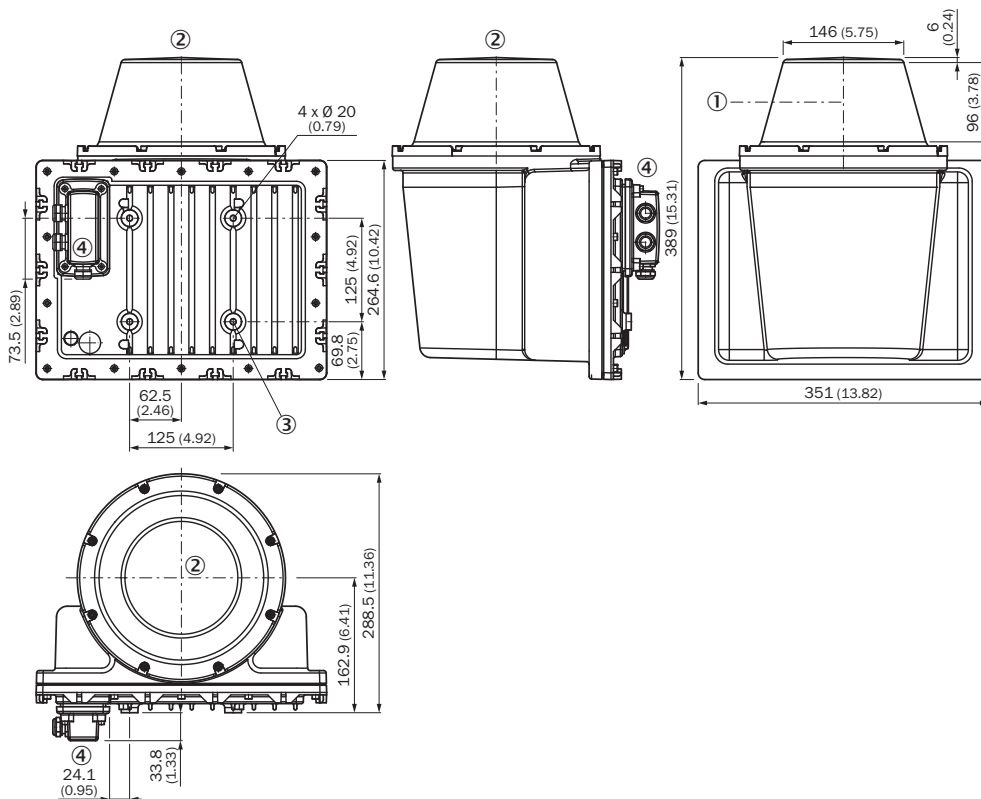
Ambient data

<b>Ambient operating temperature</b>	-25 °C ... +50 °C
<b>Storage temperature</b>	-25 °C ... +80 °C

General notes

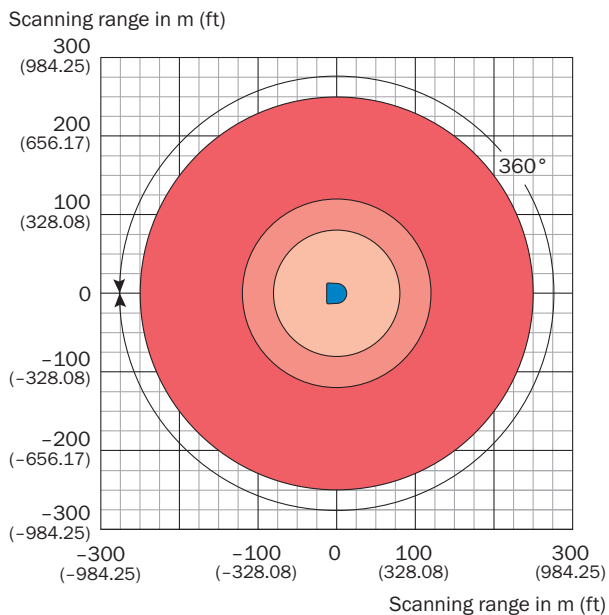
<b>Note on use</b>	Not suitable for personnel protection
--------------------	---------------------------------------

Dimensional drawing (Dimensions in mm (inch))



- ① Optical axis
- ② Zero level
- ③ Mounting hole M6 threaded -9 mm deep
- ④ RS-232/Ethernet/Power connection (20-pin harting connector)


### Operating range diagram



- Scanning range max. 250 m (820.21 ft)
- Scanning range white targets  
90 % remission 250 m (820.21 ft)
- Scanning range for objects up to  
10 % remission 120 m (393.70 ft) Extended
- Scanning range for objects up to  
10 % remission 80 m (262.47 ft)

### Recommended accessories

Other models and accessories → [www.sick.com/LD-LRS](http://www.sick.com/LD-LRS)

	Brief description	Type	Part no.
Test and monitoring tools			
	Scan finder, receiver to localize infrared scans	Scan-Finder LS-80A	6020756

## SICK AT A GLANCE

SICK is one of the leading manufacturers of intelligent sensors and sensor solutions for industrial applications. A unique range of products and services creates the perfect basis for controlling processes securely and efficiently, protecting individuals from accidents and preventing damage to the environment.

We have extensive experience in a wide range of industries and understand their processes and requirements. With intelligent sensors, we can deliver exactly what our customers need. In application centers in Europe, Asia and North America, system solutions are tested and optimized in accordance with customer specifications. All this makes us a reliable supplier and development partner.

Comprehensive services complete our offering: SICK LifeTime Services provide support throughout the machine life cycle and ensure safety and productivity.

For us, that is “Sensor Intelligence.”

## WORLDWIDE PRESENCE:

Contacts and other locations –[www.sick.com](http://www.sick.com)